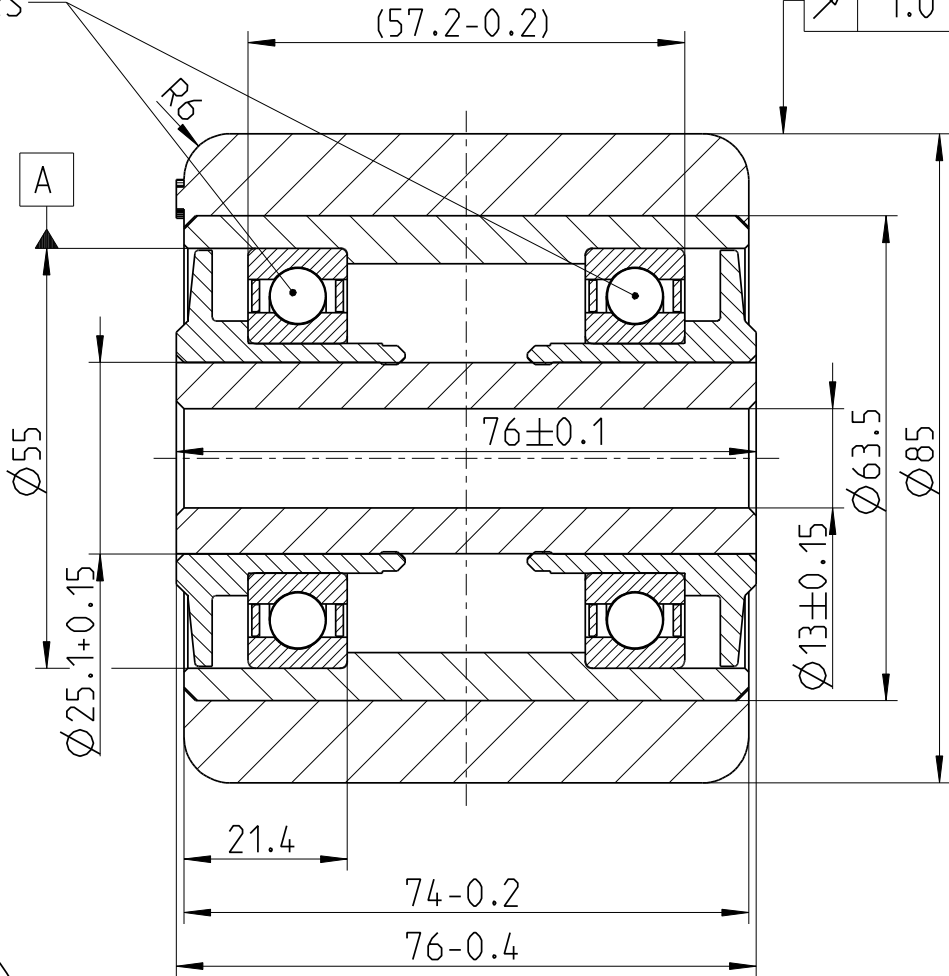


6006-2RS

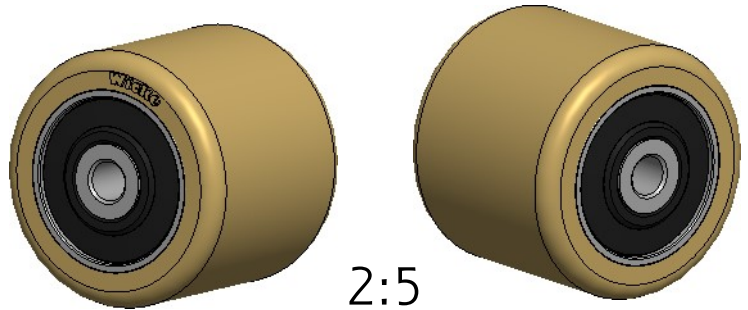
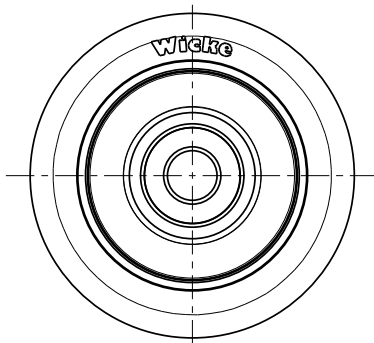
Z

A

1.0 A



Z 1:2



OEM 252600		
speed	load capacity	
	drive, swivel and brake wheels	free running load wheels
6 km/h	kg	660 kg
10 km/h	kg	600 kg
16 km/h	kg	520 kg

The reproduction, distribution and utilization of this document as well as the communication of its contents to others without express authorization is prohibited. Offenders will be held liable for the payment of damages. All rights reserved in the event of the grant of a patent, utility model or design.		accept. tolerances EN ISO 8015 EN ISO 1101	surface	scale 1:1	weight 1.227 kg
				Material	tyre: Tophane® 92 Shore A rim: P235TR2
		date	signatures	title	
		drawn by 20.05.19	Korte	<b>pallet roller</b>	
		checked 20.05.19			
		standard		<b>PN 85/ 74 /6K-S</b>	
		change checked			
				drawing number	sheet 2/2
rev.	description	date	sign.	repl. for: 201140	replaced by:

Notice of protected right ISO 16016